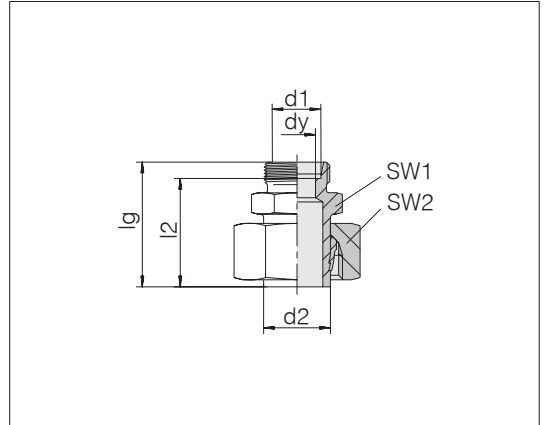


Tube end reducers

with hexagon for locking

Tube socket pre-assembled

Tube coupling: 24° in acc. with ISO 8434-1



Tube socket d2	Series Tube OD d1	Pressure	dy	lg	l2	SW1	SW2	kg/100 ca.	Order-No.	Designation
L 6	LL 4	PN 100	3	31	27	11	14	2.1	0188462074	24-SWS-L6-LL4
L 8	L 6	PN 315	4	33	26	12	17	2.9	0148052074	24-SWS-L8-L6
L 10	L 6	PN 315	4	34	27	12	19	3.4	0148112074	24-SWS-L10-L6
L 10	L 8	PN 315	6	35	28	14	19	3.8	0148102074	24-SWS-L10-L8
L 12	L 6	PN 315	4	37	30	14	22	4.7	0148172074	24-SWS-L12-L6
L 12	L 8	PN 315	6	37	30	14	22	4.8	0148162074	24-SWS-L12-L8
L 12	L 10	PN 315	8	38	31	17	22	5.2	0148152074	24-SWS-L12-L10
L 12	S 8	PN 315	5	39	32	17	22	5.7	0186092074	24-SWS-L12-S8
L 15	L 6	PN 315	4	38	31	17	27	7.4	0148232074	24-SWS-L15-L6
L 15	L 8	PN 315	6	38	31	17	27	7.5	0148222074	24-SWS-L15-L8
L 15	L 10	PN 315	8	39	32	17	27	7.7	0148212074	24-SWS-L15-L10
L 15	L 12	PN 315	10	40	33	19	27	8.2	0148202074	24-SWS-L15-L12
L 18	L 6	PN 315	4	37.5	30.5	19	32	11.0	0148292074	24-SWS-L18-L6
L 18	L 8	PN 315	6	37.5	30.5	19	32	10.2	0148282074	24-SWS-L18-L8
L 18	L 10	PN 315	8	38.5	31.5	19	32	10.2	0148272074	24-SWS-L18-L10
L 18	L 12	PN 315	10	38.5	31.5	19	32	10.3	0148262074	24-SWS-L18-L12
L 18	L 15	PN 315	12	39.5	32.5	24	32	11.9	0148252074	24-SWS-L18-L15
L 18	S 16	PN 315	12	50	41.5	30	32	19.2	0196612074	24-SWS-L18-S16
L 22	L 6	PN 160	4	41	34	24	36	14.8	0199032074	24-SWS-L22-L6
L 22	L 8	PN 160	6	38.5	31.5	24	36	14.5	0148342074	24-SWS-L22-L8
L 22	L 10	PN 160	8	39.5	32.5	24	36	14.1	0148332074	24-SWS-L22-L10
L 22	L 12	PN 160	10	39.5	32.5	24	36	14.1	0148322074	24-SWS-L22-L12
L 22	L 15	PN 160	12	40.5	33.5	24	36	14.7	0148312074	24-SWS-L22-L15
L 22	L 18	PN 160	15	41.5	34	27	36	16.2	0148302074	24-SWS-L22-L18
L 22	S 20	PN 160	16	50.5	40	32	36	21.5	0198362074	24-SWS-L22-S20
L 28	L 6	PN 160	4	42	35	30	41	19.1	0198652074	24-SWS-L28-L6
L 28	L 8	PN 160	6	42	35	30	41	17.5	0199022074	24-SWS-L28-L8
L 28	L 10	PN 160	8	41	34	30	41	17.8	0148392074	24-SWS-L28-L10
L 28	L 12	PN 160	10	41	34	30	41	18.3	0148382074	24-SWS-L28-L12
L 28	L 15	PN 160	12	42	35	30	41	18.4	0148372074	24-SWS-L28-L15
L 28	L 18	PN 160	15	43	35.5	30	41	19.1	0148362074	24-SWS-L28-L18

Other diameter combinations available upon request.

Example for comp. :
KOR08/06LOMD

Continued on following page

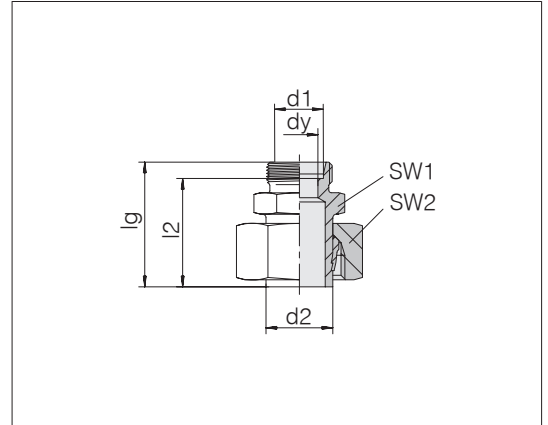


Tube end reducers

with hexagon for locking

Tube socket pre-assembled

Tube coupling: 24° in acc. with ISO 8434-1



Tube socket d2	Series	Tube OD d1	Pressure	dy	lg	l2	SW1	SW2	kg/100 ca.	Order-No.	Designation
L 28	L	22	PN 160	19	45	37.5	32	41	20.2	0148352074	24-SWS-L28-L22
L 28	S	25	PN 160	20	58	46	41	41	38.7	0197632074	24-SWS-L28-S25
L 35	L	8	PN 160	6	48	41	36	50	27.9	0198712074	24-SWS-L35-L8
L 35	L	10	PN 160	8	49	42	36	50	28.8	0198892074	24-SWS-L35-L10
L 35	L	12	PN 160	10	47.5	40.5	36	50	28.6	0148442074	24-SWS-L35-L12
L 35	L	15	PN 160	12	48.5	41.5	36	50	29.1	0148432074	24-SWS-L35-L15
L 35	L	18	PN 160	15	49.5	42	36	50	28.7	0148422074	24-SWS-L35-L18
L 35	L	22	PN 160	19	51.5	44	36	50	28.8	0148412074	24-SWS-L35-L22
L 35	L	28	PN 160	24	52.5	45	41	50	31.8	0148402074	24-SWS-L35-L28
L 42	L	10	PN 160	8	51	44	46	60	44.2	0199802074	24-SWS-L42-L10
L 42	L	12	PN 160	10	51	44	46	60	45.2	0199812074	24-SWS-L42-L12
L 42	L	15	PN 160	12	52	45	46	60	45.0	0148492074	24-SWS-L42-L15
L 42	L	18	PN 160	15	52	44.5	46	60	46.2	0148482074	24-SWS-L42-L18
L 42	L	22	PN 160	19	54	46.5	46	60	44.9	0148472074	24-SWS-L42-L22
L 42	L	28	PN 160	24	55	47.5	46	60	45.1	0148462074	24-SWS-L42-L28
L 42	L	35	PN 160	30	58	47.5	46	60	47.8	0148452074	24-SWS-L42-L35

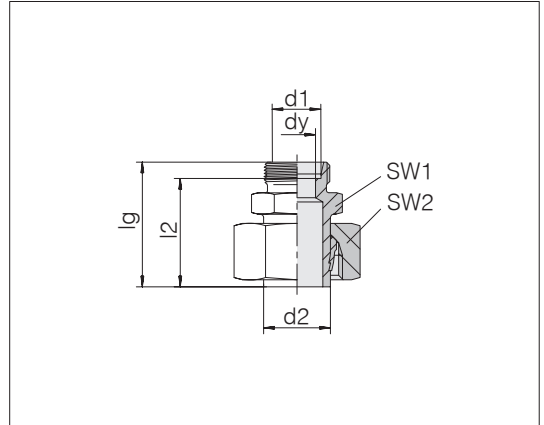
Continued on following page

Tube end reducers

with hexagon for locking

Tube socket pre-assembled

Tube coupling: 24° in acc. with ISO 8434-1



Tube socket d2	Series Tube OD d1	Pressure	dy	lg	l2	SW1	SW2	kg/100 ca.	Order-No.	Designation
S 8	S 6	PN 630	4	37	30	14	19	4.4	0148552074	24-SWS-S8-S6
S 10	S 6	PN 630	4	39	32	14	22	5.9	0148612074	24-SWS-S10-S6
S 10	S 8	PN 630	5	41	34	17	22	6.7	0148602074	24-SWS-S10-S8
S 12	L 12	PN 315	7	38	31	19	24	6.9	0198922074	24-SWS-S12-L12
S 12	S 6	PN 630	4	39	32	14	24	6.6	0148672074	24-SWS-S12-S6
S 12	S 8	PN 630	5	41	34	17	24	7.4	0148662074	24-SWS-S12-S8
S 12	S 10	PN 630	7	41	33.5	19	24	7.8	0148652074	24-SWS-S12-S10
S 14	S 6	PN 630	4	42	35	17	27	9.6	0148732074	24-SWS-S14-S6
S 14	S 8	PN 630	5	44	37	17	27	10.0	0148722074	24-SWS-S14-S8
S 14	S 10	PN 630	7	44	36.5	19	27	10.6	0148712074	24-SWS-S14-S10
S 14	S 12	PN 630	8	46	38.5	22	27	12.0	0148702074	24-SWS-S14-S12
S 16	L 12	PN 315	10	43	36	19	30	11.6	1148022074	24-SWS-S16-L12
S 16	L 15	PN 315	12	46	39	24	30	13.4	0197872074	24-SWS-S16-L15
S 16	S 6	PN 400	4	42	35	17	30	11.1	0148792074	24-SWS-S16-S6
S 16	S 8	PN 400	5	44	37	17	30	11.6	0148782074	24-SWS-S16-S8
S 16	S 10	PN 400	7	44	36.5	19	30	11.9	0148772074	24-SWS-S16-S10
S 16	S 12	PN 400	8	46	38.5	22	30	13.3	0148762074	24-SWS-S16-S12
S 16	S 14	PN 400	10	48	40	24	30	14.7	0148752074	24-SWS-S16-S14
S 20	L 15	PN 315	12	51	44	24	36	18.6	0198902074	24-SWS-S20-L15
S 20	L 18	PN 315	14	51	43.5	27	36	20.6	0198912074	24-SWS-S20-L18
S 20	S 6	PN 400	4	47	40	22	36	7.4	0199012074	24-SWS-S20-S6
S 20	S 8	PN 400	5	48	41	22	36	17.2	0148842074	24-SWS-S20-S8
S 20	S 10	PN 400	7	48	40.5	22	36	16.8	0148832074	24-SWS-S20-S10
S 20	S 12	PN 400	8	50	42.5	22	36	17.9	0148822074	24-SWS-S20-S12
S 20	S 14	PN 400	10	52	44	24	36	19.1	0148812074	24-SWS-S20-S14
S 20	S 16	PN 400	12	52	43.5	27	36	20.3	0148802074	24-SWS-S20-S16
S 25	L 22	PN 160	18	55	47.5	32	46	36.0	0198372074	24-SWS-S25-L22
S 25	L 18	PN 315	15	51	43.5	27	46	31.7	0198622074	24-SWS-S25-L18
S 25	S 6	PN 400	4	51	44	27	46	31.2	0198992074	24-SWS-S25-S6
S 25	S 8	PN 400	5	51	44	27	46	31.5	0199002074	24-SWS-S25-S8
S 25	S 10	PN 400	7	51	43.5	27	46	31.9	0148892074	24-SWS-S25-S10
S 25	S 12	PN 400	8	53	45.5	27	46	32.6	0148882074	24-SWS-S25-S12
S 25	S 14	PN 400	10	55	47	27	46	33.1	0148872074	24-SWS-S25-S14

Continued on following page

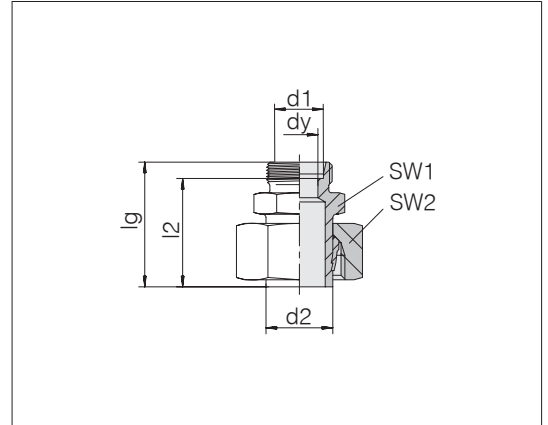


Tube end reducers

with hexagon for locking

Tube socket pre-assembled

Tube coupling: 24° in acc. with ISO 8434-1



Tube socket d2	Series	Tube OD d1	Pressure	dy	lg	l2	SW1	SW2	kg/100 ca.	Order-No.	Designation
S 25	S 16	PN 400	12	55	46.5	27	46	33.2	0148862074	24-SWS-S25-S16	
S 25	S 20	PN 400	16	59	48.5	32	46	37.0	0148852074	24-SWS-S25-S20	
S 30	S 8	PN 400	5	59	52	32	50	40.9	0198972074	24-SWS-S30-S8	
S 30	S 12	PN 400	8	56	48.5	32	50	37.5	0148942074	24-SWS-S30-S12	
S 30	S 14	PN 400	10	58	50	32	50	18.1	0148932074	24-SWS-S30-S14	
S 30	S 16	PN 400	12	58	49.5	32	50	37.9	0148922074	24-SWS-S30-S16	
S 30	S 20	PN 400	16	62	51.5	32	50	39.9	0148912074	24-SWS-S30-S20	
S 30	S 25	PN 400	20	66	54	41	50	49.4	0148902074	24-SWS-S30-S25	
S 38	S 10	PN 315	7	62	54.5	41	60	28.2	0199872074	24-SWS-S38-S10	
S 38	S 12	PN 315	8	62	54.5	41	60	60.9	0199882074	24-SWS-S38-S12	
S 38	S 16	PN 315	12	64	55.5	41	60	58.9	0148982074	24-SWS-S38-S16	
S 38	S 20	PN 315	16	68	57.5	41	60	60.5	0148972074	24-SWS-S38-S20	
S 38	S 25	PN 315	20	72	60	41	60	64.5	0148962074	24-SWS-S38-S25	
S 38	S 30	PN 315	25	74	60.5	46	60	71.4	0148952074	24-SWS-S38-S30	